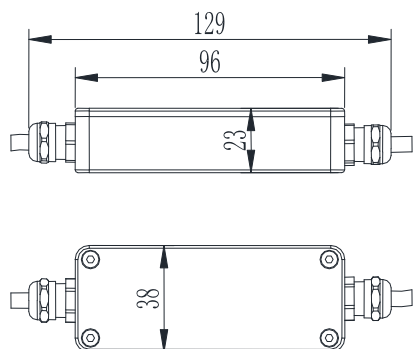


T099

Mounting Dimension



| Specification | Technique |
|---------------------------------|-----------------------------|
| Comprehensive | 0.01 % |
| Divisions | 10000e |
| Sensitivity | ≥0.5μ V/e |
| Min. Sensitivity | 0.02 μV/e |
| Test signal range | ±2.0 mV/V |
| Max. Signal range | ±5.0 mV/V |
| Power supply | 5±1% VDC |
| | 1:1000000 |
| Linearity | ±0.0015 % |
| Zero temp coefficient | typ.≤±10 ppm/10℃ |
| Full temp coefficient | typ.≤±25 ppm/10℃ |
| Time drift | ≤±10 ppm/1000hr. |
| Measurement rate | 200;100;50;25;10 times/Sec. |
| Digital filter cutoff frequency | 10~0.3 Hz |
| Communication interface | RS485/232 |
| Communication baud rate | 1200~115200 bps |
| Number of nodes | 90(0~89) pcs |
| Working power voltage | 6~15 VDC |
| Working current | <40(typ.) <50(max.) mA |
| Working temp. range | -30 ~+65 ℃ |
| Storage temp. range | -40~+80 ℃ |
| Interface anti-jamming | 10 V/m |
| Size(L X W X D) | 29.9×51.8×6.5 mm |
| Weight | 50 g |

Features & Applications

- High precision, digital filter
- Weighing, zero tracking, linear compensation
- Super strong anti-interference, surgeprotection,conduction and radiation interference
- Analysis of the stress sensor, digital acquisition chain

