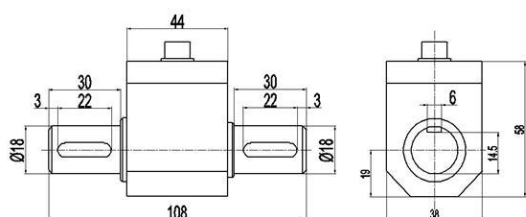
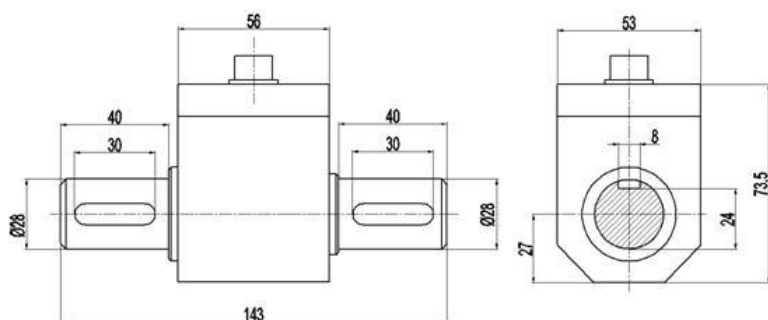


T908A

Mounting Dimension



0.1~100N.m



200~500N.m



Specifications	Technique
Capacity	0.1,0.2,0.3,0.5,1,2,3,5,10,20 30,50,100,200,300,500N.m
Rated output	1.0~1.5mV/V
Zero balance	±1% F.S.
Non-linearity	0.2%F.S.
Hysteresis	0.2%F.S.
Repeatability	0.1%F.S.
Creep(30min)	0.1%F.S.
Temp.effect on output	0.02%F.S./10°C
Temp.effect on zero	0.02%F.S./10°C
Input impedance	350/700±10Ω
Output impedance	350/700±10Ω
Insulation	≥2000MΩ/100VDC
Recommended excitation	12V
Maximum excitation	15V
Compensated temp range	-10~60°C
Operation temp range	-20~60°C
Safe overload	120%F.S.
Ultimate overload	150%F.S.
Cable size	3m
IP Class	IP66

Features & Applications

- Constituted by Strain gauge sensitive components and integrated circuits;
- High precision with stable and reliable performance;
- This sensor can be operated long-term in high-speed without wear ring and other wear parts, the output is OK for positive and negative torque signal;
- Both ends are keyed;
- Maximum speed of torque cannot over 4000 r / min.

Wiring Code

