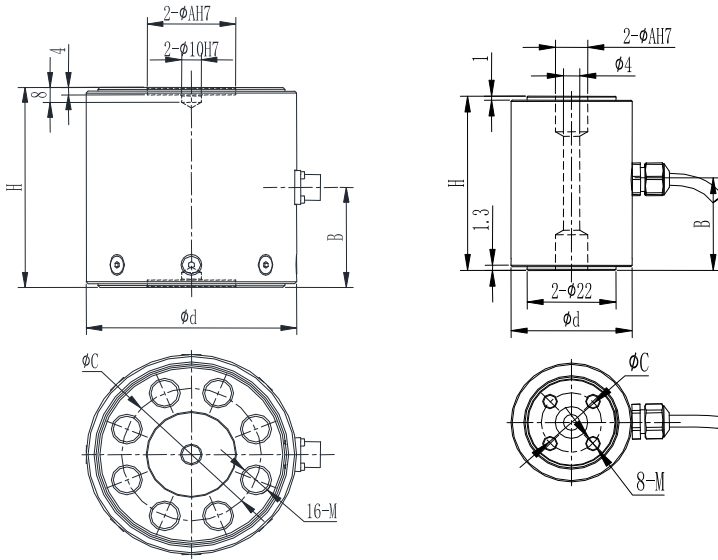


TA903C

Mounting Dimension



20~10000N.m

2~10N.m



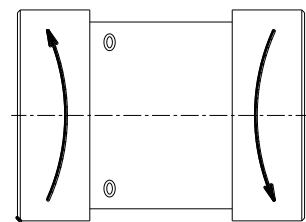
Cap	H	d	A	B	C	M
2, 5, 10N.m	44	30	8	23	15	M4deep6
20, 50, 100 N.m	61	50	20	30.5	30	M6deep10
200, 300, 500N.m	82	73	30	41	45	M10deep15
1, 1.5, 2kN.m	107	107	45	54	71	M16deep22
4, 5, 6 kN.m	130	141	60	65	95	M20deep25
10 kN.m	170	205	120	85	155	M24deep35

Features & Applications

- Static torque sensor
- Compact structure, easy to install
- IP65 protection
- Used for measurement of static, non-continuous rotational torque force

Specifications	Technique
Capacity	2,5,10,20,50,100N.m 0.2,0.3,0.5,1,1.5, 2,4,5,6,10kN.m
Rated output	1.5±10% mV/V
Zero balance	±2% F.S.
Non-linearity	0.1%F.S.
Hysteresis	0.1%F.S.
Repeatability	0.05%F.S.
Creep(30min)	0.1%F.S.
Temp.effect on output	0.05%F.S./10 $^{\circ}C$
Temp.effect on zero	0.05%F.S./10 $^{\circ}C$
Input impedance	410±20 Ω
Output impedance	350±10 Ω
Insulation	≥5000M Ω /100VDC
Recommended excitation	5~15V
Maximum excitation	20V
Compensated temp range	-10~60 $^{\circ}C$
Operation temp range	-20~80 $^{\circ}C$
Safe overload	120%F.S.
Ultimate overload	150%F.S.
Cable size	φ3×4000mm
Material	aluminum alloy
Weight approx.	0.2kg
IP Class	IP65

Load Direction



Wiring Code

