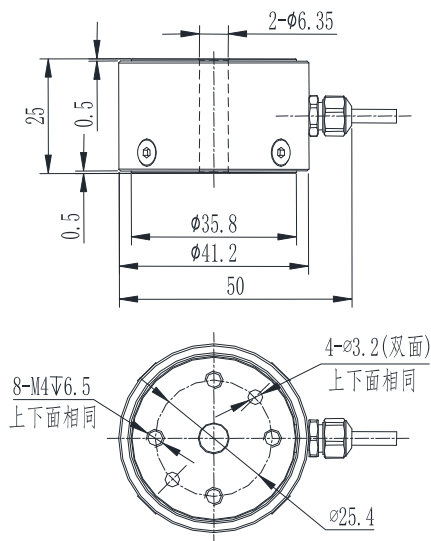


## TA903B

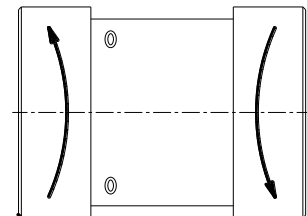
## Mounting Dimension



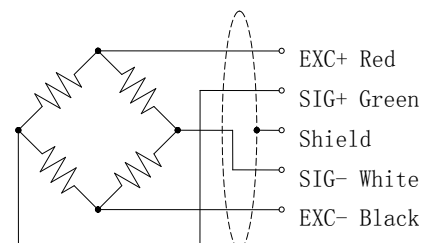
## Features &amp; Applications

- Static torque sensor
- Compact structure, easy to install
- IP65 protection
- Used for measurement of static, non-continuous rotational torque force

## Load Direction



## Wiring Code



| Specifications         | Technique                   |
|------------------------|-----------------------------|
| Capacity               | 1,2,3,5,10, 20,30,50,100N.m |
| Rated output           | 1.5±10% mV/V                |
| Zero balance           | ±2% F.S.                    |
| Non-linearity          | 0.2% F.S.                   |
| Hysteresis             | 0.2% F.S.                   |
| Repeatability          | 0.1% F.S.                   |
| Creep(30min)           | 0.1% F.S.                   |
| Temp.effect on output  | 0.05% F.S./10°C             |
| Temp.effect on zero    | 0.05% F.S./10°C             |
| Input impedance        | 410 ± 20Ω                   |
| Output impedance       | 350 ± 10Ω                   |
| Insulation             | ≥5000MΩ/100VDC              |
| Recommended excitation | 5~15V                       |
| Maximum excitation     | 20V                         |
| Compensated temp range | -10~60°C                    |
| Operation temp range   | -20~80°C                    |
| Safe overload          | 120% F.S.                   |
| Ultimate overload      | 150% F.S.                   |
| Cable size             | φ3×4000mm                   |
| Material               | aluminum alloy              |
| Weight approx.         | 0.2kg                       |
| IP Class               | IP65                        |