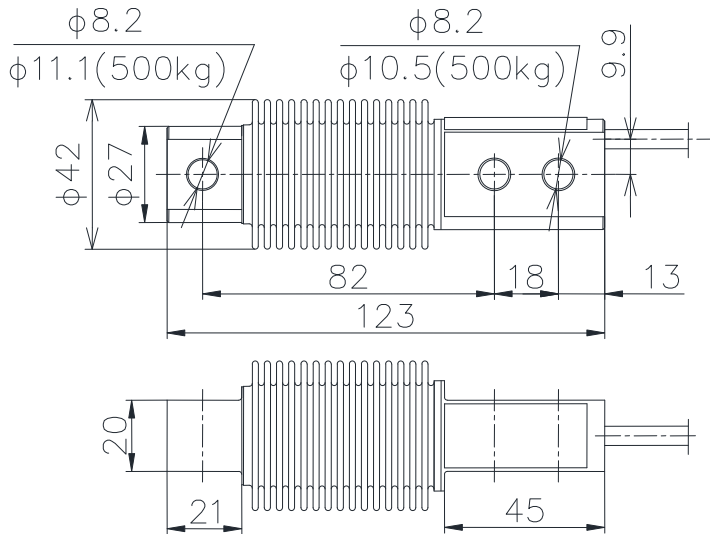


Mounting Dimension



TS701

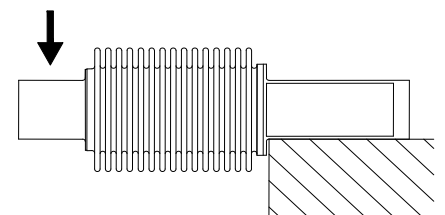


Features & Applications

- Made of Stainless Steel , Strong stability
- Applicable to various environments, IP68 protection
- Mainly used for packing scales, hopper scale and industrial weighing system

Specifications	Technique
Capacity	10,20,50,100,200,500 kg
Accuracy class	C3
Rated output	2.0±0.05mV/V
Zero balance	±2%F.S.
Non-linearity	0.018%F.S.
Hysteresis	0.017%F.S.
Repeatability	0.018%F.S.
Creep(30min)	0.0166%F.S.
Temp.effect on output	0.008%F.S./10℃
Temp.effect on zero	0.0125%F.S./10℃
Input impedance	390±5Ω
Output impedance	350±5Ω
Insulation	≥5000MΩ/100VDC
Recommended excitation	5~15V
Maximum excitation	20V
Compensated temp range	-10~40℃
Operation temp range	-30~70℃
Safe overload	150%F.S.
Ultimate overload	300%F.S.
Cable size	Φ5.4×1500mm
Weight approx.	0.5kg
Material	Stainless Steel
IP Class	IP68

Load Direction



Wiring Code

