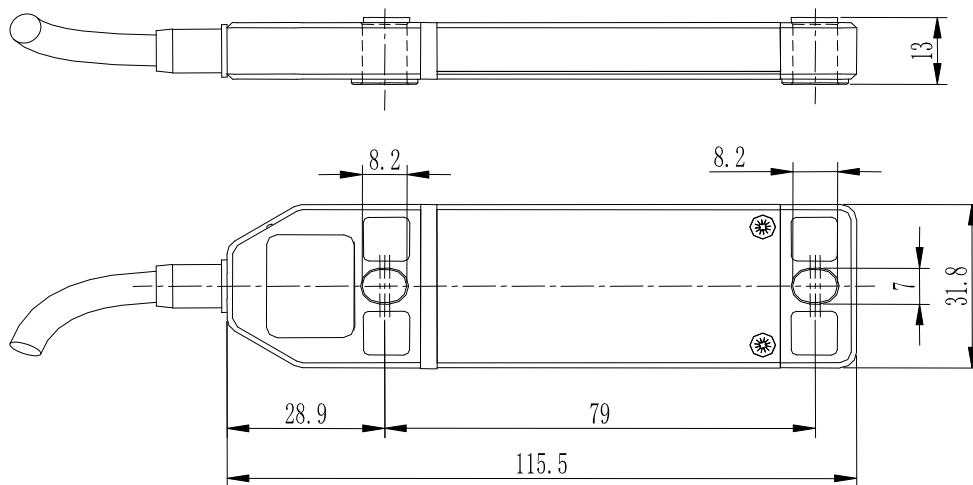


TA910B

Mounting Dimension



Specifications	Technique
Capacity	800μ m/m
Rated output	1.5±10% mV/V
Zero balance	±5% F.S.
Temp.effect on output	0.2% F.S./10℃
Temp.effect on zero	0.5% F.S./10℃
Input impedance	1000±20Ω
Output impedance	1000±20Ω
Insulation	≥5000MΩ/50VDC
Recommended excitation	5~12V
Maximum excitation	15V
Compensated temp range	-10~40℃
Operation temp range	-20~60℃
Safe overload	150% F.S.
Ultimate overload	200% F.S.
Cable size	Φ6×4000mm
Material	Aluminum alloy
Weight approx.	0.4kg
IP Class	IP66

Features & Applications

- simply bolted into place
- IP66 protection
- For the measured objects of static and dynamic load monitoring. such as cranes, presses and roll stands and Punch equipments

Load Direction

