

SMP4000 Series

Features

- Measuring range: -0.1MPa... 0 to 0.01...250MPa.
- Stainless steel.
- Anti-pressure shock, anti-water hammer effect.
- Anti-ice blocking effect.
- PCB buffer, vibration resistant.
- Anti-electromagnetic interference, resist the voltage wave.
- Resist power Supply wrong connection.



Application

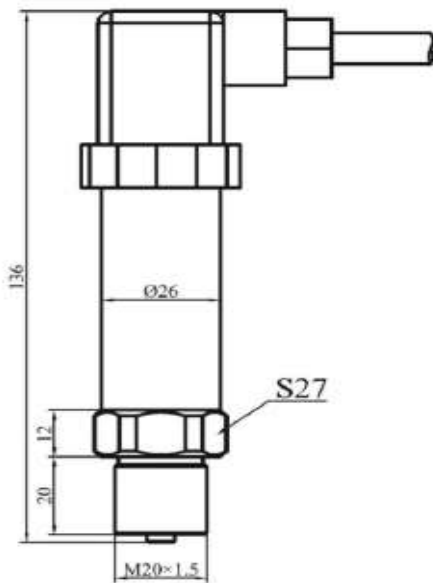
- Petrochemical industry.
- Ship, mechanical hydraulic system.
- Hydropower, wind power.
- Water conservancy, hydrology, pump and so on.
- CNG/LNG
- Equipment matching.

Specification:

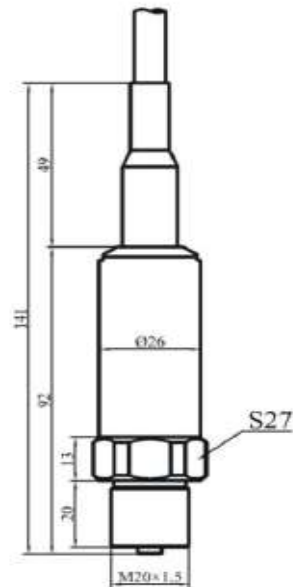
Pressure range	-0.1MPa... 0 to 0.01...250MPa	
Overpressure	≤70MPa, 2times	
	≥100MPa, 1.5times	
Pressure type	S(Gauge pressure)	A(Absolute pressure)
Power supply	8-30VDC	8-30VDC
Output signal	4-20mADC	0/1-5/10VDC
Transmission mode	Two wire	Three wire
Load resistance	≤(U-8)/0.02Ω	> 100K
Protection level	IP65(Connector type)/IP68(Fully sealed cable type)	
Housing	Stainless steel 304	
Diaphragm	Stainless steel 316L	
Sealing ring	Fluorine rubber	
Accuracy	±0.25%FS(typical)	±0.5%FS(maximum)
medium working Temperature	-35 to 85℃	
Environment temperature	-40 to 65℃	
Storage Temperature	-40 to 105℃	
Zero temperature	±0.03%FS/℃(≤100kPa)	±0.02%FS/℃(> 100kPa)
Full scale temperature	±0.03%FS/℃(≤100kPa)	±0.02%FS/℃(> 100kPa)
Long-term stability	±0.1%FS/Year(typical)	±0.2%FS/Year(maximum)

SMP4000 Series

Outline Construction (Unit: mm)



B1 Connector type



B2(Fully sealed cable type)

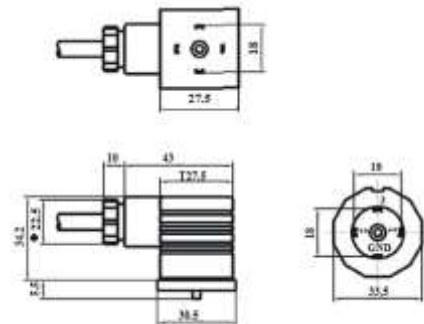
Electrical connection:

Connector type Pin definition:

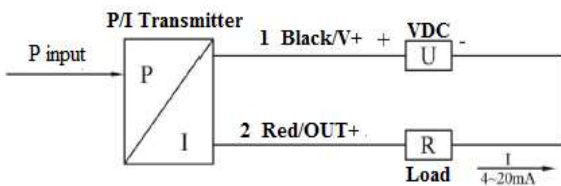
Pin	Two wire	Three wire
1	Positive power(+V)	Positive power(+V)
2	Negative power(OV/+OUT)	Common end(GND)
3		output positive(+OUT)

Fully sealed cable type wire definition:

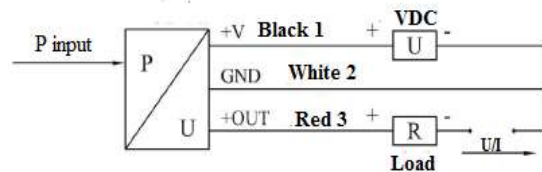
Wire color	Two wire	Three wire
Black	Positive power(+V)	Positive power(+V)
White	Negative power(OV/+OUT)	Output positive(+OUT)
Red		Common end(GND)



Two wire system 4-20mADC output:



Three wire system 0/1-5VDC output:



SMP4000 Series

Selection Guide:

SMP4000 Universal pressure transmitter					
Pressure range		Measuring range			
(0-X) kPa or MPa X: Actual measuring capacity		-0.1MPa... 0 to 0.01...250MPa			
	Code		Output signal		
	E		4-20mADC		
	F		1-5VDC		
	J		0-5VDC		
	V		0-10VDC		
	Material				
	Code		Diaphragm	Pressure port	Housing
	22		SS 316L	SS	SS
	24		SS 316L	SS 316L	SS 316L
			Code	Additional function	
			B1	Connector output	
			B2	Cable output cable length 1.5m	
			PC3	Flush diaphragm, G1/2 male screw pressure interface	
			M3	3 ½ digits LCD digital indicator(4-20 mA output)	
		M4	3 ½ digits LED digital indicator(4-20 mA output)		
		C3	G1/2 male screw pressure interface		
		C5	M20x1.5 male screw pressure interface, waterline seal		
		G	Gauge pressure		
		A	Absolute pressure		
Full model: for example: SMP4000-E-22-B1PC3G					

Selection note:

1: Try to understand the pressure testing point of the media working condition completely, as well as the pressure scope and working condition. Avoid unreasonable use, lead the unnecessary loss.

2: The product in high frequency response applications, the highest frequency can reach 20KHz, but better communicate with the our company for installation and use, in order to let the product meet the normal needs.

3, In spite of the products design a variety of protection measures, but in extreme applications, such as field have strong lightning application, should ensure power supply grounding reliable, and installation of lightning protection device, reduce as much as possible of the failure probability.