

SMP8500 Series

Features

- Φ 150mm standard pressure gauge outline.
- LED digital indicator displaying pressure value.
- Variety of power supply options.
- With RS485 communication interface to facilitate networking and data transmission.
- Use keys to set the parameters and the passwords of the controller, easy to operate.
- Four digit pressure value display, four digit state parameters display and the standard analog signal output.
- Max. 5 relay outputs, free setting and display; stable operation.



Application

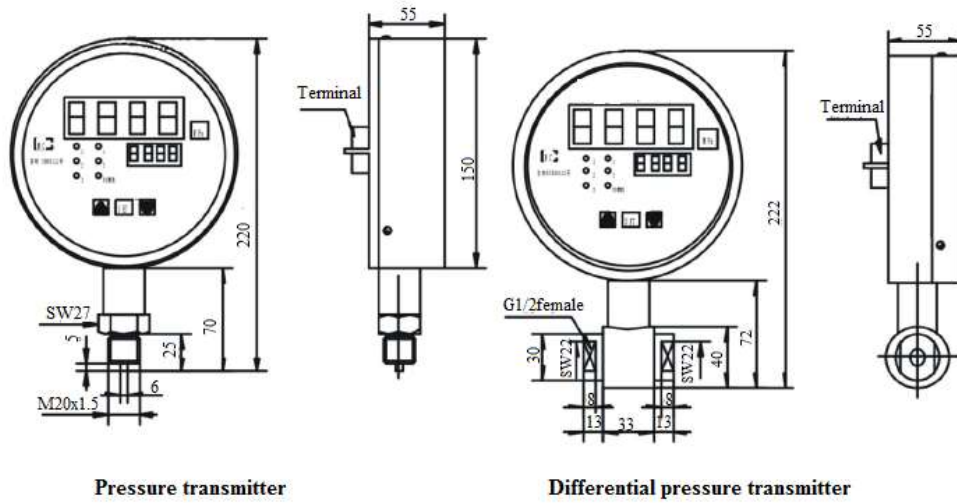
- Used for flow pressure and differential pressure measure, display and control for power station, water supply and drainage, petroleum and chemical industry, etc.

Specification:

Pressure range	-0.1...0-0.01...100MPa
Overpressure	1.5times
Accuracy grade	$\pm 0.1\%FS$, $\pm 0.25\%FS$, $\pm 0.5\%FS$
Power supply	220VAC $\pm 15\%$ or 220VDC or 24VDC
Output signal	Analog 4-20mADC, 0-10/20Madc or 0/1-5VDC, Digital RS485
Zero temperature drift	$\pm 0.03\%FS/^{\circ}C$ (pressure range $\leq 100kPa$); $\pm 0.02\%FS/^{\circ}C$ (pressure range $> 100kPa$)
Full scale temperature drift	$\pm 0.03\%FS/^{\circ}C$ (pressure range $\leq 100kPa$); $\pm 0.02\%FS/^{\circ}C$ (pressure range $> 100kPa$)
Relay contact control number	1-5
Relay load	240V/3A(AC) or 30V/5A(DC)
Relay life	$> 100\ 000$
Max. consumption	$\leq 3.5W$
Display	Main display: Four digit 0.8inch High Brightness LED
	Sub Display: Four digit 0.36inch red LED
Display range	-1999 to 9999
Installation method	Vertical installation
Impact	$\leq 10 \times 9.81ms^{-2}$
Vibration frequency	(0-300)Hz
acceleration	$\leq 3 \times 9.81ms^{-2}$
Relative humidity	$\leq 80\%RH$
Pressure port	SS1Cr18Ni9Ti
Diaphragm	SS316L
Housing	Aluminum alloy, stainless steel
Seal	Fluorine rubber sealing ring or welding
Environment temperature	-10 to 60 $^{\circ}C$
Medium temperature	-10 to 80 $^{\circ}C$
Storage Temperature	-40 to 125 $^{\circ}C$
Long-term stability	$\pm 0.5\%FS/year$

SMP8500 Series

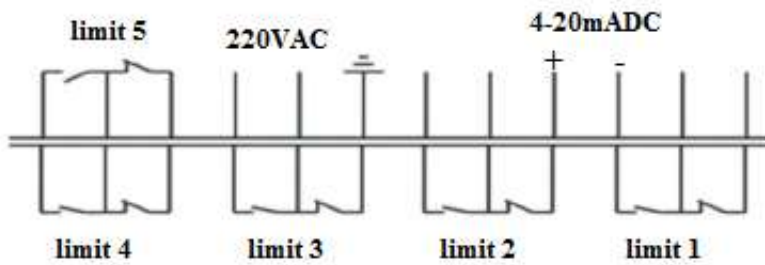
Outline Construction (Unit: mm)



Pressure transmitter

Differential pressure transmitter

Electrical connection:



SMP8500 Series

Selection Guide:

SMP8500 series Pressure transmitting controller and Differential Pressure transmitting controller			
Pressure range		Measuring range	
[0-X]kPa or MPa		-0.1...0 to 0.01...100MPa	
	Code	Output signal	
	E	4-20mA	
	F	1-5VDC	
	J	0-5VDC	
	Q	0-10mADC	
	U	0-20mADC	
	R4	RS485	
		Code	Others
		C1	M20x1.5 male screw pressure interface, end face seal
		C3	G1/2 male screw pressure interface
		C4	G1/4 female screw thread pressure interface
		C5	M20x1.5 male screw pressure interface, waterline seal
		G	Gauge pressure
		A	Absolute pressure
		S	Sealed gauge
	Ax	Axial installation	
	Jn	Reply quantity, n=1-5	
	V1	Power supply 24VDC	
	V2	Power supply 220VAC	
Full model: for example: SMP8500-[0-2]MPa-E-C1GJ3V2			

Selection note:

- 1: Please not the power supply, accuracy and the relay quantity.
- 2: Do a good job in site protection, prevent lightning, water etc.
- 3: If order RS485 product, we can supply the communication software and instructions, please indicate in the contract.