

SMP6201 Water depth sensor probe

Features

- Can measure 500 meters water depth, the accuracy less than 0.1%FS within 30 meters.
- Digital filter, improve the stability of products.
- Anti electromagnetic interference.
- Micro power consumption, can be powered by lithium batteries.

Application

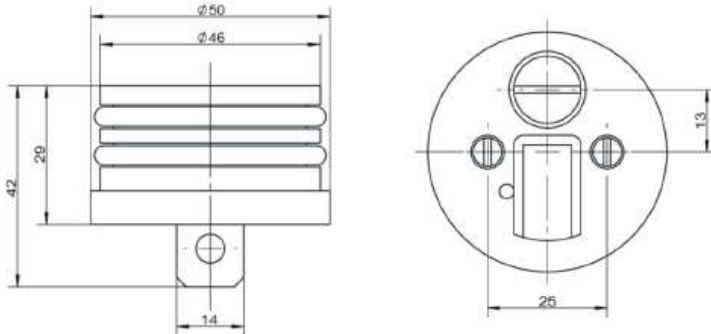
- Water depth measurement.



Specification:

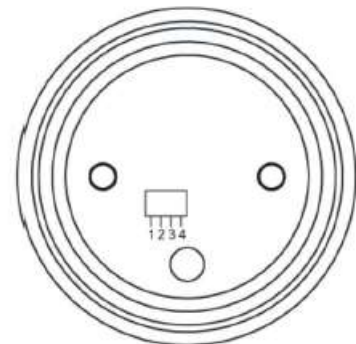
Pressure range	0-5MPa/A
Accuracy grade	< 0.1%FS
Power supply	3.3VDC
Output	RS232
Dynamic response time	≤50ms
Vibration	20g/(20-5000Hz)

Outline Construction (Unit: mm)



Electrical connection:

Pin	Power supply mode	Wire color
Pin1	-Supply	Red
Pin2	+Supply	Black
Pin3	RXD	Yellow
Pin4	RXD	White



Selection note:

1: Can be customized according to customer requirements.