

SMP6120 Series

Features

- Ceramic membrane technology, wear resistance.
- Anti pressure impact and shock..
- Digital circuit correction, anti EMC interference.
- Based on the EN61000 standard design and production.

Application

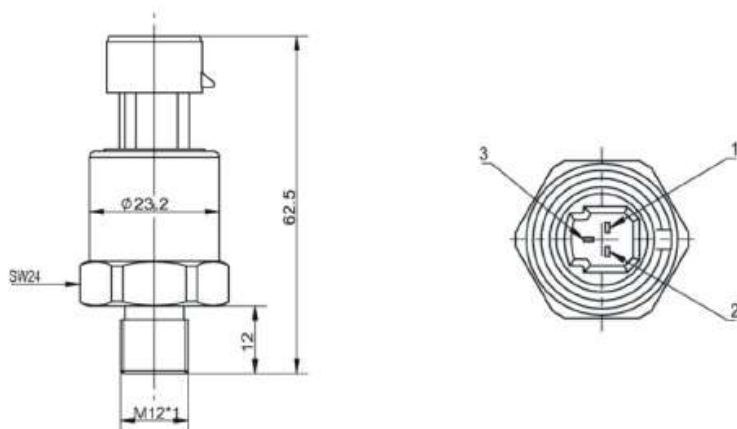
- Mechanical equipment, automobile oil and gas mixing of the compressor, etc. general industrial occasions which do not need high precision requirement.



Specification:

Pressure range	0-0.6MPa , 1MPa, 1.6MPa, 2.5MPa, 4MPa
Overpressure	2times FS
Failure pressure	3times FS
Accuracy grade	±1%FS
Power supply	8 to 30VDC
Output	0.5-4.5VDC
Protection level	IP65
Compensation temperature	-20 to 85℃
Working Temperature	-40 to 85℃
Storage Temperature	-40 to 85℃
Zero temperature drift	±0.03%FS/℃
Full scale temperature drift	±0.03%FS/℃
Pressure port	G1/4 male screw
Durability	10x10 ⁶
Long-term stability	≤±1%FS

Outline Construction (Unit: mm)



SMP6120 Series

Connection definition:

Pin	Power supply mode	Wire color
Pin1	-Supply	Red
Pin2	+Supply	Black
Pin3	Output	Blue

Selection Guide:

SMP6100 series special pressure sensor for oil pump		
Pressure code	Measuring range	
09	0.6MPa	
10	1MPa	
11	1.6MPa	
12	2.5MPa	
14	4MPa	
	Code	Other options
	A	Three pin connector
	F	0.5-4.5VDC
	C2	G1/4 male screw
Full model: for example: SMP6120-10-AFC2		