

SMP6100 Series

Features

- Diffused-silicon sensors, SS316 diaphragm.
- Anti pressure shock, anti water hammer, anti overload, anti vibration.
- Anti electromagnetic interference, based on the EN61000 standard design and production.

Application

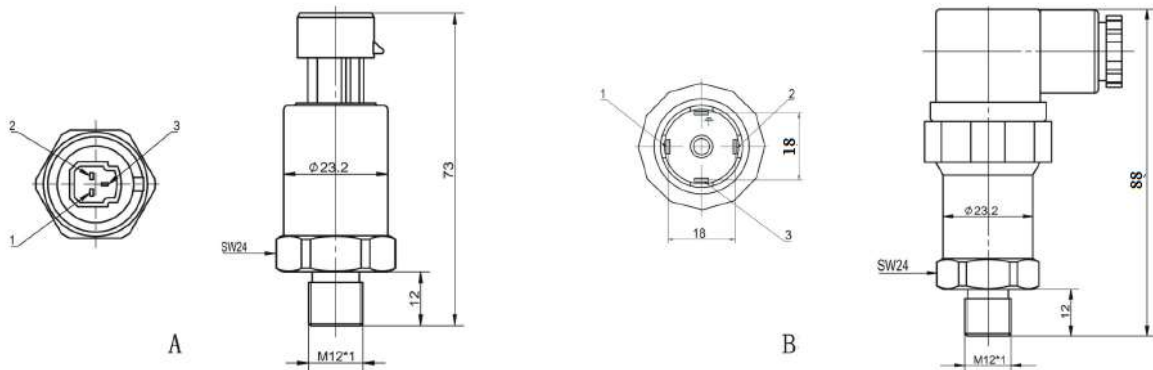
- Compressor, booster pump, HVAC, water treatment, hydraulic system, LNG/CNG etc general industrial occasions which do not high precision requirement.



Specification:

Pressure range	0...0.4MPa , 0...5MPa
Overpressure	3times FS
Failure pressure	5times FS
Accuracy grade	≤±1%FS (Nonlinearity, repeatability, hysteresis) at 20℃
Power supply	8 to 30VDC
Output	4-20mA, 0.5-4.5VDC
Insulation resistance	100MΩ/50VDC
Protection level	IP65
Compensation temperature	0 to 85℃
Working Temperature	-20 to 85℃
Storage Temperature	-40 to 85℃
Zero temperature drift	±0.03%FS/℃
Full scale temperature drift	±0.03%FS/℃
Comprehensive accuracy	≤±3%FS(include the error caused by temperature drift)
Durability	> 10x10 ⁶ (10%-90% Pressure)
Long-term stability	≤±1%FS

Outline Construction (Unit: mm)



SMP6100 Series

Connection definition:

Output	Type A			Type B		
4-20mA	Pin1	-Supply	Red	Pin1	+Supply	Black
	Pin2	+Supply	Black	Pin2	-Supply	Red
	Pin3	Not used		Pin3	Not used	
				Earth		
0.5-4.5VDC	Pin1	-Supply	Red	Pin1	+Supply	Black
	Pin2	+Supply	Black	Pin2	-Supply	Red
	Pin3	Out put	Blue	Pin3	Out put	Blue
				Earth		

Range selection: (G :Gauge, A: Absolute)

Bar or MPa	MPa	bar	MPa
0-4bar/G	0-0.4MPa/G	0-25bar/G	0-2.5MPa/G
0-6bar/G	0-0.6MPa/G	0-30bar/A	0-3MPa/A
0-10bar/G	0-1MPa/G	0-40bar/A	0-4MPa/A
0-16bar/G	0-1.6MPa/G	0-50bar/A	0-5MPa/A
-1-15MPa/G	-0.1-1.5MPa/G		

Selection Guide:

SMP6100 series stainless steel isolation diaphragm pump pressure sensor			
Pressure code	Measuring range		
08	0.4MPa/G		
09	0.7MPa/G		
10	1MPa/G		
11	-1-1.5MPa/G or 1.6MPa/G		
12	2.5MPa/G		
13	3MPa/A		
14	4MPa/A		
15	5MPa/A		
	Code	Electrical connection	
	A	Parkard Connector	
	B	Hirschman Connector	
		Code	Output
		E	4-20mADC
		F	0.5-4.5VDC
		Code	Pressure interface
		C2	G1/4 male screw
Full model: for example: SMP6100-10-B-E-C2			