

SMP5520 Series

Features

- This intelligent digital pressure measurement and control instrument have pressure measurement, display, output, control function.
- Flexible in use, easy to operate.

Application

- Hydropower, running water, petroleum, chemical, mechanical, hydraulic and other industries.

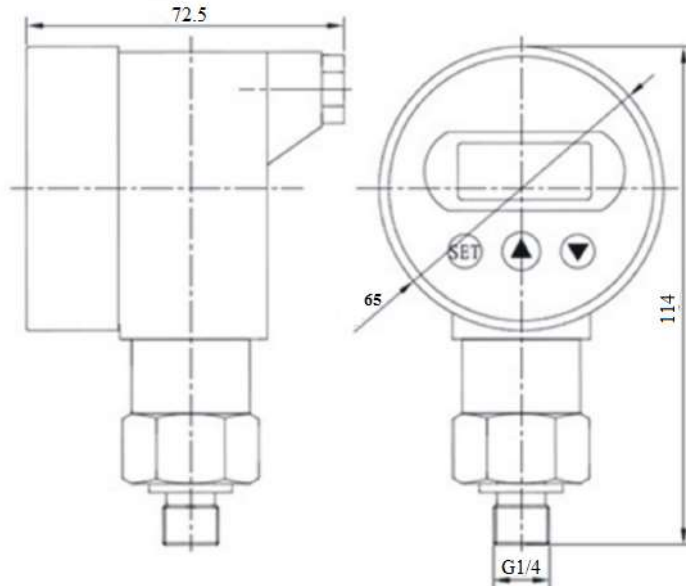


Specification:

Pressure range	-0.1...0-0.02...100MPa
Overpressure	1.5times
Switching signal	2 way switch point NPN output or 2 way relay output
Accuracy grade	±0.25%FS, ±0.5%FS
Temperature effect on zero	±0.03%FS/°C(≤100kPa), ±0.02%FS/°C(>100kPa)
Full scale temperature drift	±0.03%FS/°C(≤100kPa), ±0.02%FS/°C(>100kPa)
Switch point control number	2
Load capacity	NPN:24/1.2, Relay 240V/3A(AC) or 30V/5A(DC)
Contact life	< 10 ⁶
Power supply	12V-28VDC Typical: 24VDC
Maximum power consumption	≤3.5W
Output signal	4-20mA
Display range	-1999 to 9999
Display	Four digit, 0.36inch, Red LED display
Installation method	Vertical installation
Environment temperature	-30 to 70°C
Vibration frequency	0Hz to 300Hz
Medium temperature	-40 to 85°C
Acceleration	≤3x9.81ms ⁻²
Relative humidity	≤80%
Pressure interface	SS1Cr18Ni9Ti
Diaphragm	SS316L
Shell	Engineering plastic
Interface form	G1/4 male screw, M20x1.5
Protection level	IP65
Impact	≤10x9.81ms ⁻²
Working Temperature	-40 to 85°C
Storage Temperature	-40 to 85°C
Long-term stability	±0.5%FS/year

SMP5520 Series

Outline Construction (Unit: mm)



Electrical connection:

Digital pressure gauge(E ₀)		Two way NPN connection (E ₁)		Two way relay (E ₂)	
Definition	Wire color	Definition	Wire color	Definition	Wire color
-	-	V+	Red	V+	Red
-	-	GND	Yellow	GND	Yellow
-	-	Switch1/SP1	Blue	Ralay1Close	Blue
-	-	Switch2/SP2	Green	Ralay1GND	Gray
-	-	Iout+	White	Ralay1Open	White
-	-	Iout-	Yellow	Ralay2Close	Green
-	-	-	-	Ralay2GND	Brown
-	-	-	-	Ralay2Open	Orange
-	-	-	-	Iout-	Black
-	-	-	-	Iout+	Purple

SMP5520 Series

Selection Guide:

SMP5520 series Intelligent pressure switch					
Pressure range			Measuring range kPa or MPa		
[0-X mH ₂ O]kPaL or MPaL (X: Actual control range, L: cable length)			-0.1...0-0.02...100 MPa		
	Code		Output form		
	E ₀		Digital pressure gauge		
	E ₁		Two way NPN connection 4-20mA		
	E ₂		Two way relay 4-20mA		
	V		0-10VDC		
	Material				
	Code		Diaphragm	Pressure port	Housing
	22		SS 316L	SS 304L	SS 304L
	24		SS 316L	SS 316L	SS 316L
			Code	Additional function	
			C1	M20x1.5 male screw pressure interface, end face seal	
			C2	G1/4 male screw	
			C3	G1/2 male screw	
		C5	M20x1.5 male screw pressure interface, waterline seal		
		G	Gauge type		
		A	Absolute pressure type		
		S	Seal type gauge		
		P2	Accuracy grade 0.5		
		P3	Accuracy grade 0.25		
Full model: for example: SMP5520-[0-2]MPa1.5-E ₂ -C1GP2					

Selection note:

1: Standard cable length 1.5m.

2: When installation and use, prevent lightning, rain and other damage.