

SMP4510 Series

Features

- Long life for battery, LCD display, wireless output signal.
- High accuracy, quick response, high sampling frequency, anti-interference, low power consumption of the system.
- Key operation, setting on the worksite
- . Shock-proof, moisture-proof.

Application

- It can be used for automation fields like chemical industry, petroleum, power station, water processing etc.



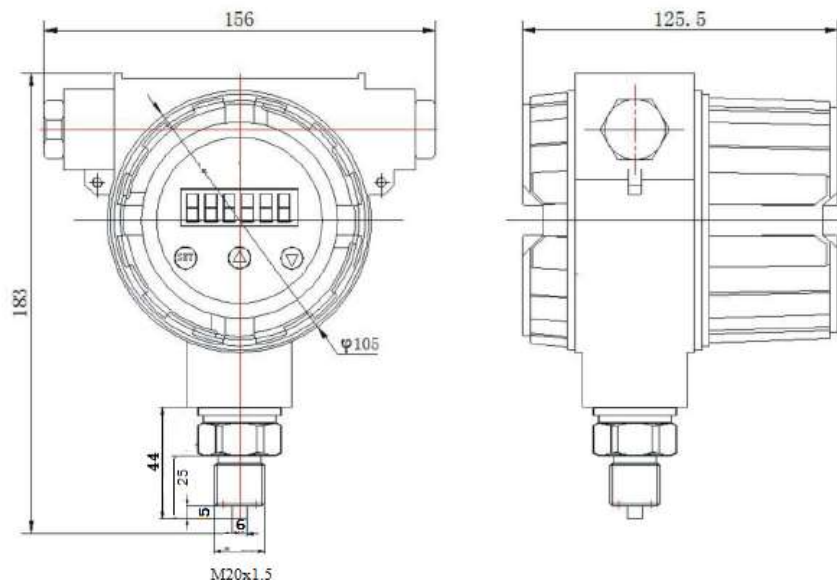
Specification:

Pressure range	0 to 20MPa...70MPa
Overpressure	1.5times FS
Pressure type	Gauge/ Absolute/Sealed Gauge
Accuracy grade	0.25 level; 0.5 level
Power supply	3.6V (19Ah) lithium battery
Output signal	LCD digital display
Transmission distance	400m, 100m
Installation position effect	variation <0.2%FS (pressure range≤100kPa, variation ≤0.3%FS)
Shock effect	frequency 10~60Hz, peak amplitude 0.21mm or frequency 60~2000Hz, acceleration 29.4/ms ² , Normal work
Protection	IP65
Deliver interval	Adjustable from 1 minute to 1440 minutes
Wireless standard	2.4GHz Zigbee
Relative humidity	< 95%
Working Temperature	-25 to 70℃
Storage Temperature	-40 to 120℃
Zero temperature drift	±0.03%FS/℃(pressure range ≤100kPa);±0.02%FS/℃ (pressure range > 100kPa)
Full scale temperature drift	±0.03%FS/℃(pressure range ≤100kPa);±0.02%FS/℃ (pressure range > 100kPa)
Long-term stability	±0.5%FS/Year
Battery lifet	Sampling and sending signals every 10 minutes, battery lifet is 1 to 2 years.
Weight	About 1900g

Note: For accuracy grade of basic pressure range; pressure range ≤100kPa or narrowed range, we only offer 0.5 accuracy grade.

SMP4510 Series

Outline Construction (Unit: mm)



Electrical connection:

Turn on:

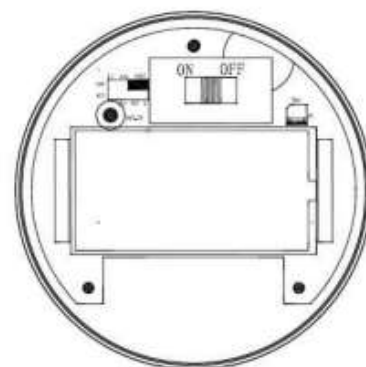
Open rear cover, turn on. On the LCD, it displays “0000”.

Turn off:





Open rear cover, turn “OFF”.

Change battery:

Open rear cover, turn “OFF”. Then replace new battery (3.6V 19Ah lithium battery).



External antenna:

			
SMW101 Plastic antenna	SMW201 Sucker antenna	SMW301 Directional antenna	SMB210RC/RT
Transmission distance 400m	Transmission distance 100m	Transmission distance 800m	Add distance

Note: Add SMB210RC/RT routing module, can add the transmission distance 600m, recommended to use 2 times.

SMP4510 Series

Selection Guide:

SMP4510 Series wireless Pressure Transmitter					
Pressure range			Measuring range		
(0-X) kPa or MPa X: Actual measuring range			-0.1... 0 to 0.02...100MPa		
	Code	Diaphragm	Pressure interface		
	22	SS 316L	SS 304		
	24	SS 316L	SS 316L		
	Code		Pressure Type		
	G		Gauge		
	A		Absolute		
	S		Sealed Gauge		
			Code	Pressure Port	
			C1	M20×1.5 male thread, face seal	
			C2	G1/4 male thread	
			C3	G1/2 male thread	
			C4	G1/4 female thread	
			C5	M20×1.5 male thread, water line seal	
			C7	NPT1/4 male thread	
			Code	Antenna	
		W1	SMW101 Plastic antenna		
		W2	SMW201 Sucker antenna		
		W3	SMW301 Directional antenna		
		Code	Additional function		
		d	Explosion-proof ExdII CT6 G		
Full model: for example: SMP4510-[0-2]MPa-22-G-C1-PL-WL-D					

Selection note:

- 1: Please be sure that measured media should be compatible with the contacting material.
- 2: The lowest basic range for absolute pressure type is 70kPa.