

SMP4500 Series

Features

- Long life for battery, LCD display, wireless output signal.
- High accuracy, quick response, high sampling frequency, anti-interference, low power consumption of the system.
- Key operation, setting on the worksite
- . Shock-proof, moisture-proof.

Application

- It can be used for automation fields like chemical industry, petroleum, power station, water processing etc.



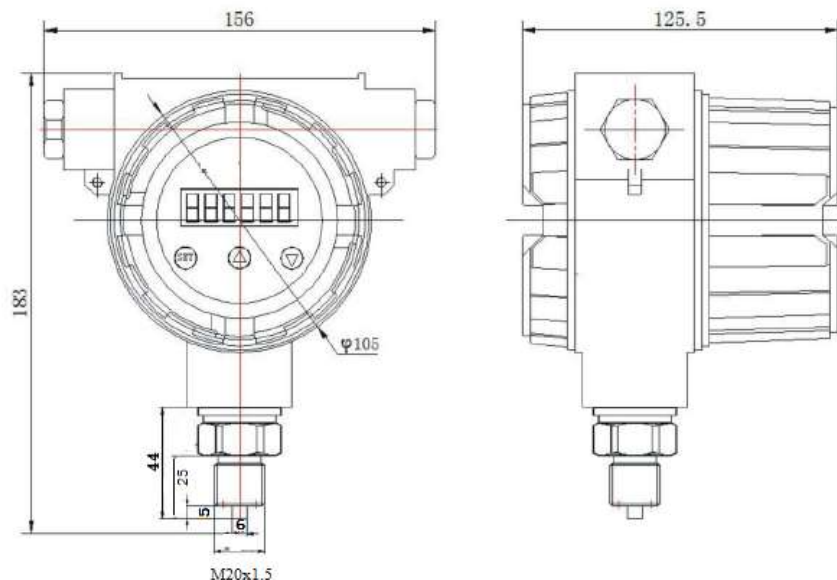
Specification:

Pressure range	0 to 20MPa...70MPa
Overpressure	1.5times FS
Pressure type	Gauge/ Absolute/Sealed Gauge
Accuracy grade	0.25 level; 0.5 level
Power supply	3.6V (19Ah) lithium battery
Output signal	LCD digital display
Transmission distance	400m, 100m
Installation position effect	variation <0.2%FS (pressure range≤100kPa, variation ≤0.3%FS)
Shock effect	frequency 10~60Hz, peak amplitude 0.21mm or frequency 60~2000Hz, acceleration 29.4/ms-2, Normal work
Protection	IP65
Deliver interval	Adjustable from 1 minute to 1440 minutes
Wireless standard	2.4GHz Zigbee
Relative humidity	< 95%
Working Temperature	-25 to 70℃
Storage Temperature	-40 to 120℃
Zero temperature drift	±0.03%FS/℃(pressure range ≤100kPa);±0.02%FS/℃ (pressure range > 100kPa)
Full scale temperature drift	±0.03%FS/℃(pressure range ≤100kPa);±0.02%FS/℃ (pressure range > 100kPa)
Long-term stability	±0.5%FS/Year
Weight	About 1900g

Note: For accuracy grade of basic pressure range; pressure range ≤100kPa or narrowed range, we only offer 0.5 accuracy grade.

SMP4500 Series

Outline Construction (Unit: mm)



Selection Guide:

SMP4500 Series GPRS wireless Pressure Transmitter			
Pressure range	Measuring range		
(0-X) kPa or MPa X: Actual measuring range	-0.1... 0 to 0.02...100MPa		
	Code	Pressure Type	
	G	Gauge	
	A	Absolute	
	S	Sealed Gauge	
		Code	Additional function
		C1	M20×1.5 male thread, face seal
		C2	G1/4 male thread
		C3	G1/2 male thread
		C4	G1/4 female thread
		C5	M20×1.5 male thread, water line seal
	C7	NPT1/4 male thread	
	M2	LCD digital displayer	
	GP	GPRS model	
Full model: for example: SMP4500-[0-2]MPa-GC1M2GP			

Selection note:

1: Please be sure that measured media should be compatible with the contacting material.