

**SMP4030 Series**

**Features**

- 4-20mA/RS485 two wire system output
- RS485 communication interface, output pressure, temperature signal.
- Full temperature precision correction compensation, the maximum design accuracy reach to 0.05%FS.
- Anti-vibration, anti-shock.
- Anti ice block, anti water hammer.
- Meet EMC environmental requirements.
- Have IP65(B1/B3) and IP68(B2) model.



**Application**

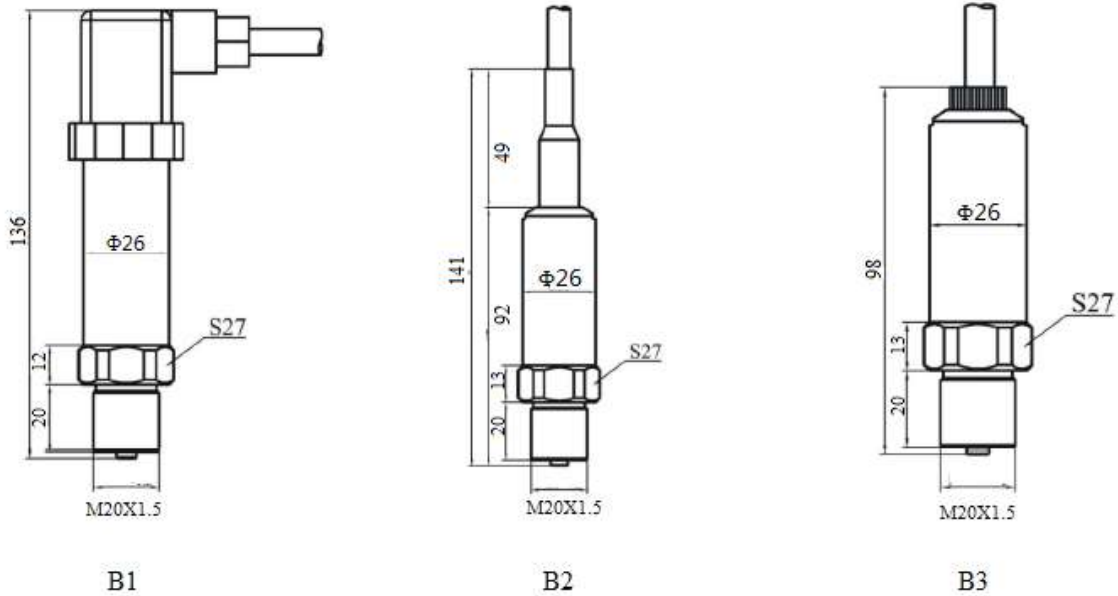
- Petrochemical industry.
- Military industry.
- Pressure calibration equipment, standard equipment, pressure controller.
- Precision pressure testing equipment.
- Hydropower, thermal power, non nuclear power system.

**Specification:**

Pressure range	-0.1MPa... 0 to 0.01... 100MPa
Overpressure	2times
Power supply	9-30VDC
Output signal	4-20mA/RS485 interface
Electrical connection	DIN43650 standard 4 core plug (B1)
	Full sealed connector
	Φ7.2mm Shielded air guide cable
Insulation resistance	100MΩ,100VDC
Shock	20g(20-5000)Hz
Impact	20g, 11ms
Protection level	IP65(B1/B3), IP68(B2)
Housing	Stainless steel 304
Diaphragm	Stainless steel 316L
Sealing ring	Fluorine rubber
Accuracy	±0.05%FS(minimum) ±0.2%FS(typical) ±0.3%FS(maximum)
Working Temperature	-35 to 85℃
Storage Temperature	-40 to 105℃
Long-term stability	±0.2%FS/Year
The minimum comprehensive precision is defined within a specific temperature range, normally the nonlinear, hysteresis, repeatability, zero temperature drift, sensitivity temperature drift, stability, etc. at 30℃.	
Within the 100kPa range, the comprehensive accuracy control at ±0.3%FS, temperature range: -10 to 50℃	

**SMP4030 Series**

**Outline Construction (Unit: mm)**

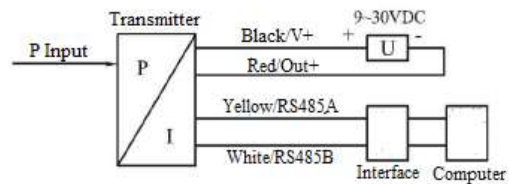
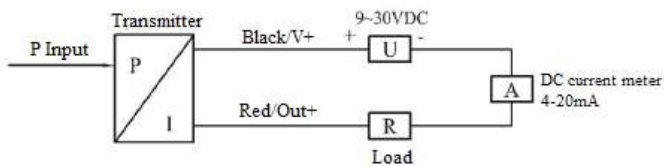


**Electrical connection:**

**Connector type Pin definition:**

**Two wire system 4-20mA DC output:**

**RS485 communication interface:**



The transmitter is connected to the outside via a connector or cable				
Function definition	Internal plug wiring color	Outer Electrical connection		
		4 core connector	Cable color	Full sealed connector
+V	1(Black)	1	Black	1
OUT/GNG	2(Red)	2	Red	2
RS485B	4(White)	$\frac{1}{2}$	White	5
RS485A	5(Yellow)	3	Yellow	4

**SMP4030 Series**

**Selection Guide:**

<b>SMP4030 Universal intelligent pressure transmitter</b>					
<b>Pressure range</b>		<b>Measuring range</b>			
(0-X) kPa or MPa X: Actual measuring capacity		-0.1MPa... 0 to 0.01...100MPa			
	Code		Output signal		
	E		4-20mADC		
	R4		RS485 communication interface		
	Material				
	Code		Diaphragm	Pressure port	Housing
	22		SS 316L	SS	SS
	24		SS 316L	SS 316L	SS 316L
			Code	Additional function	
			B1	DIN43650 standard 4 core plug	
			B2	Cable connect cable length 1.5m	
			B3	Full sealed connector	
		C1	M20x1.5 male screw pressure interface, end face seal		
		C3	G1/2 male screw pressure interface		
		C4	G1/4 female screw thread pressure interface		
		C5	M20x1.5 male screw pressure interface, waterline seal		
		G	Gauge pressure		
		A	Absolute pressure		
Full model: for example: SMP4030-[0-100]kPa-ER4-22-B3C1G					

**Selection note:**

1: Choose the RS485 communication interface transmitter, must choose B2 cable output type or B3 tpye, full sealed connector model.