

SMP4300 Series

Features

- Stainless steel welded structure, protection grade IP65.
- Multiple output mode, the Zero and full scale can be adjusted.
- Reverse polarity protection and momentary over current over voltage protection.

Application

- Petrochemical industry, metallurgy, electric power, hydrology, mechanical equipment and so on

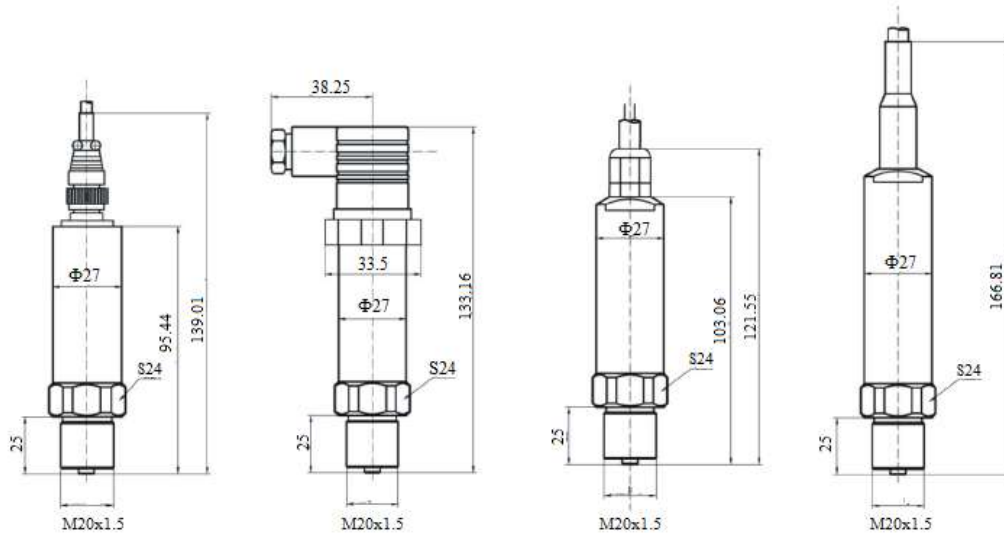


Specification:

Pressure range	0 to 2MPa...250MPa		
Overpressure	1.5times		
Failure pressure	2times		
Pressure type	Gauge pressure		
Measuring medium	The oil, water, gas compatible with stainless steel		
Accuracy grade	0.25, 0.5, 1.0(or nonlinear $\pm 0.2\%$ FS, ≥ 100 MPa, $\pm 0.3\%$ FS)		
Power supply	24VDC, 12VDC (range 9 to 30VDC)		
Output signal	4-20Madc, 0-5V(two wire system), 1-5V, 0.5-4.5V, 1-10V(three wire system)		
Insulation resistance	100VDC/500M Ω		
Transmission mode	Two wire	Three wire	Four wire
Load resistance	$\leq (U-9)/0.02\Omega$	$\leq (U-9)/0.02\Omega$	>5K
Protection level	IP65(Connector type)/IP68(cable type)		
Electrical connection	Connector or 1.5m cable		
Housing	Stainless steel 304		
Diaphragm	Stainless steel 17-4		
Pressure interface	Stainless steel 304L		
Rubber Sleeve	Nitrile rubber(B2 cable connector)		
Working Temperature	-30 to 70 $^{\circ}$ C		
Storage Temperature	-40 to 120 $^{\circ}$ C		
Zero temperature	$\pm 0.2\%$ FS/10 $^{\circ}$ C (≥ 100 kPa, $\pm 1\%$ FS/10 $^{\circ}$ C)		
Full scale temperature	$\pm 0.2\%$ FS/10 $^{\circ}$ C (≥ 100 kPa, $\pm 1\%$ FS/10 $^{\circ}$ C)		
Long-term stability	$\pm 0.5\%$ FS/Year		

SMP4300 Series

Outline Construction (Unit: mm)

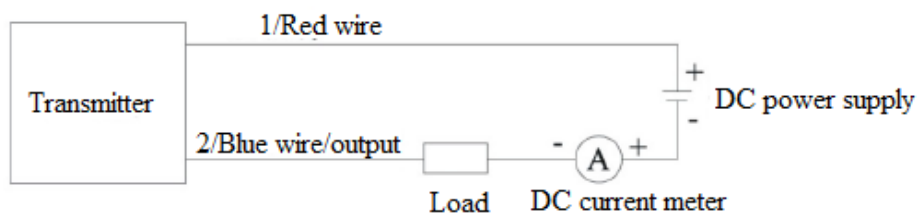


Electrical connection:

Code	Two wire	Cable	Three wire	Cable	Four wire	Cable	SPC type	Cable
1	VCC	Red	VCC	Red	+VCC	Red	VCC	Red
2	OUT/GND	Black/Blue	GND	Black	-VCC	Black	OUT	Blue
3			OUT	Blue	OUT	Blue	GND	Black
4		Yellow			GND	Yellow	SPC/Dangling	
5							SPC/Dangling	

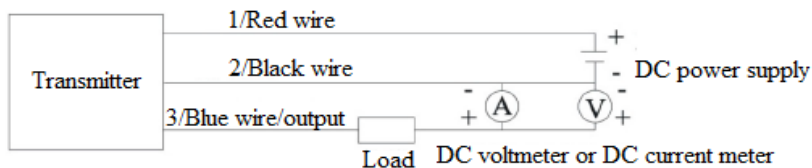
1, The transmitter's lead wire has many forms: Hessman joint, Connector, Sealed with cable and so on, when use the hessman joint and connector, the wire connection method according the follows figure, when use the calbe, the wire connection method check the follows cable color.

a) Two wire system (4-20)mA output electrical connection as follows,



SMP4300 Series

b) Three wire system(0-5)V, (1-5)V, (0-10)V,(0-10)mA, (0-20)mA output electrical connection as follows,



Selection Guide:

SMP4300 series pressure transmitter				
Pressure range	X: Actual measuring capacity		Measuring range: 0 to 2MPa...250MPa	
[0-X]MPa	Rated range	Rated range	Rated range	
	0-2MPa	0-30MPa	0-100MPa	
	0-3MPa	0-35MPa	0-120MPa	
	0-5MPa	0-40MPa	0-140MPa	
	0-10MPa	0-45MPa	0-160MPa	
	0-15MPa	0-60MPa	0-180MPa	
	0-20MPa	0-70MPa	0-200MPa	
	0-25MPa	0-80MPa	0-250MPa	
Code	Output signal			
	E	4-20mA		
	F	1-5VDC		
	G	0.5-4.5VDC		
	J	0-5VDC		
Material	Code			
	Diaphragm			
	Pressure port			
	Housing			
	36	SS 17-4	SS 304	SS 304
	Code	Additional function		
	B1	4 core connector output		
	B2	Cable output		
	B3	7 core connector output		
	B4	Hessman joint		
	C1	M20x1.5 male screw pressure interface, end face seal		
	C2	G1/4male screw pressure interface		
	C3	G1/2 male screw pressure interface		
	C4	G1/4 Internal screw thread pressure interface		
	C5	M20x1.5 male screw pressure interface, waterline seal		
	C7	NPT1/4 male screw pressure interface		
	C9	R1/4 male screw pressure interface		
C10	R3/8 male screw pressure interface			
P1	Accuracy grade 1			
P2	Accuracy grade 0.5			
P3	Accuracy grade 0.25			
Full model: for example: SMP4300-[0-2]MPa-E-22-B1C5P2				

SMP4300 Series

Selection note:

- 1: When selecting detailed mode, please note that the tested medium and the contact medium should be compatible.

- 2: To ensure product reliability, suggested add anti lightning protection device, ensure reliable grounding of the products and power supply.

- 3, Special requirements, please contact with us.